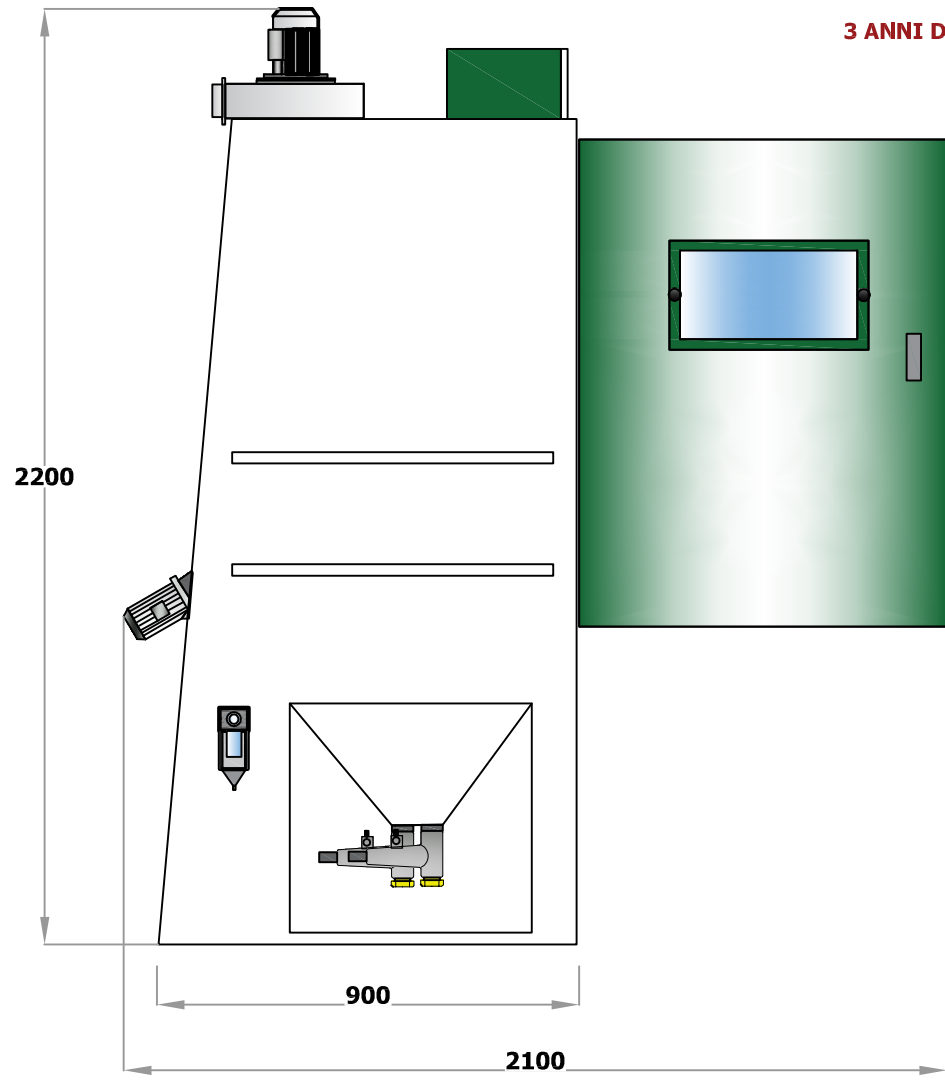
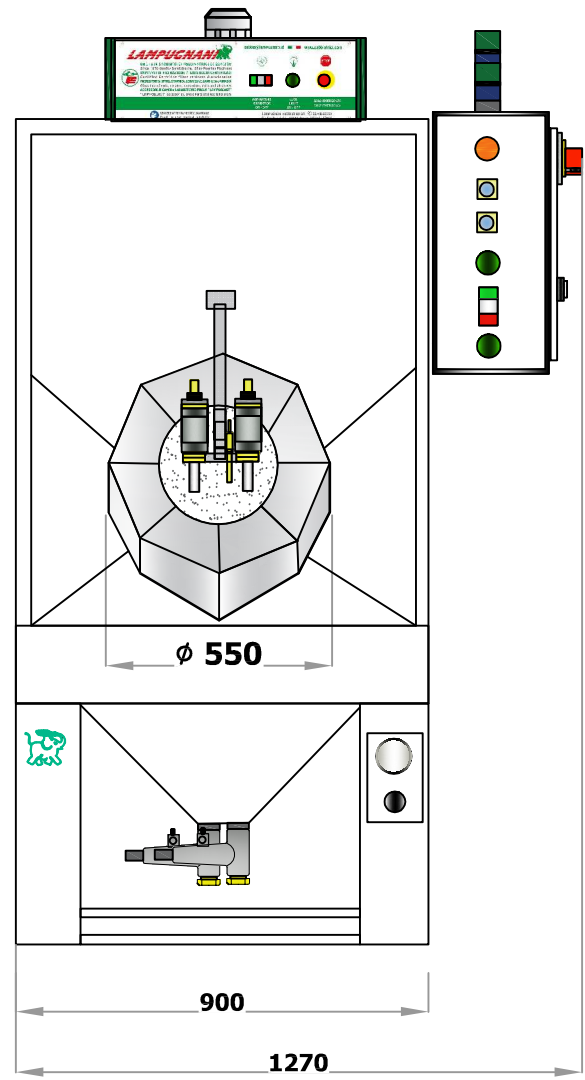


MADE
IN
ITALY



3 ANNI DI GARANZIA



Itemref	Quantity	Title/Name, designation, material, dimension etc			Article No./Reference	
Designed by	Checked by XXX	Approved by - date XXX - 00/00/00	File name XXX	Date	Scale 1:1	
LC -550 - CR				Misure espresse in mm.		
				lampugnani sabbiatrici srl	Edition 1	Sheet 1/1

LAMPUGNANI
SABBLASTING RE-TECH

